

CS150 (A657)

This parts catalog is includes MB No MA657001

PARTS CATALOG

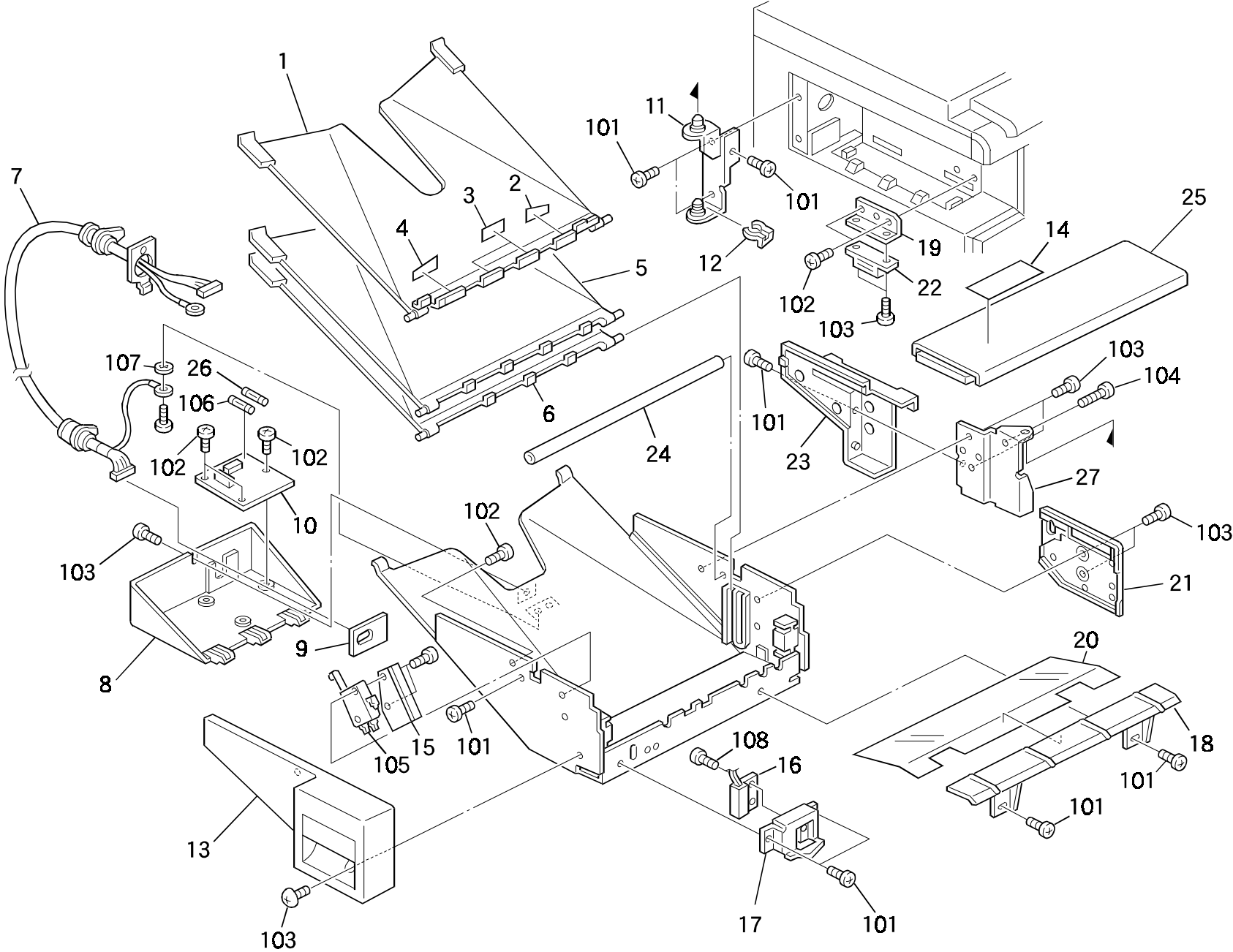
INTRODUCTION

This chapter instructs you the numbers and names of parts on this machine.

INDEX to PARTS CATALOG

1.SORTER UNIT 1 (A657)	2
2.SORTER UNIT 2 (A657)	4
3.DECAL AND DOCUMENT (A657)	6
PARTS INDEX	9

1.SORTER UNIT 1 (A657)

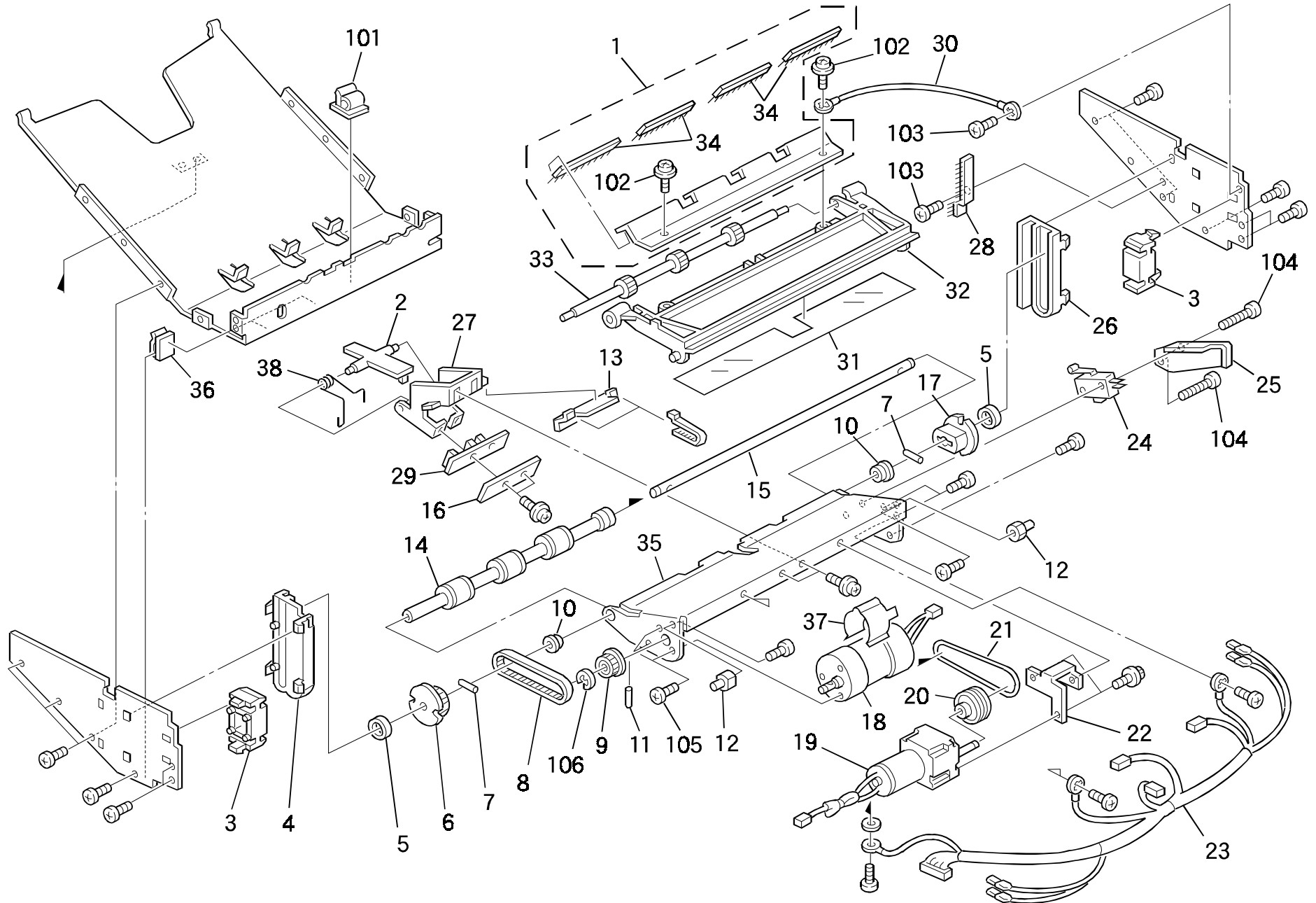


1.SORTER UNIT 1 (A657)

Index No.	Part No.	Description	Q'ty Per Assembly
1	A557 3101	Sorter Bin - Top	1
2	A490 3147	Rear Mylar Seal - Top Bin	1
3	6801 3145	Paper Stopper	2
4	A490 3146	Front Mylar Seal - Top Bin	1
5	A556 3181	Sorter Bin - Even	4
6	A556 3171	Sorter Bin - Odd	4
7	A657 5300	Interface Harness	1
8	A557 6202	Lower Cover	1
9	6802 5961	Strain Relief Plate	1
10	A557 5510	Main Control Board	1
11	A557 7101	Lower Hinge Bracket	1
12	5447 2681	Snap Ring	1
13	A657 6101	Front Cover	1
14	A657 6601	Decal - Misfeed Removal	1
15	6802 5971	Home Position Switch Cover	1
16	6802 5640	Reed Switch	1
17	A490 5951	Sensor Bracket	1
18	A467 2511	Loewr Guide Support Plate	1
19	A657 7511	Magnet Bracket	1
20	6801 2514	Support Plate Mylar	1
21	A557 6402	Rear Cover	1
22	6802 7125	Magnet - Sorter Mounting Base	1
23	A657 6501	Hinge Cover	1
24	AA14 0279	Frame Shaft	1
25	A557 6302	Upper Cover	1
26	A557 5650	Fuse - 1A	1
27	A657 1201	Minge Bracket	1
28	A657 5301	Sorter Bracket	1

Index No.	Part No.	Description	Q'ty Per Assembly
101	0414 0060B	Tapping Screw - M4x6	
102	0802 5236	Binding Self-tapping Screw - M4x8	
103	0414 0080B	Binding Self-tapping Screw - M4x8	
104	0414 0100B	Tapping Screw - M4x10	
105	1204 2297	Microswitch - E21-50K(F)	
106	1107 0406	Fuse - 250v,0.5a	
107	0703 0040B	Philips Washer - M4	
108	0413 0060B	Tapping Screw - M3x6	

2.SORTER UNIT 2 (A657)



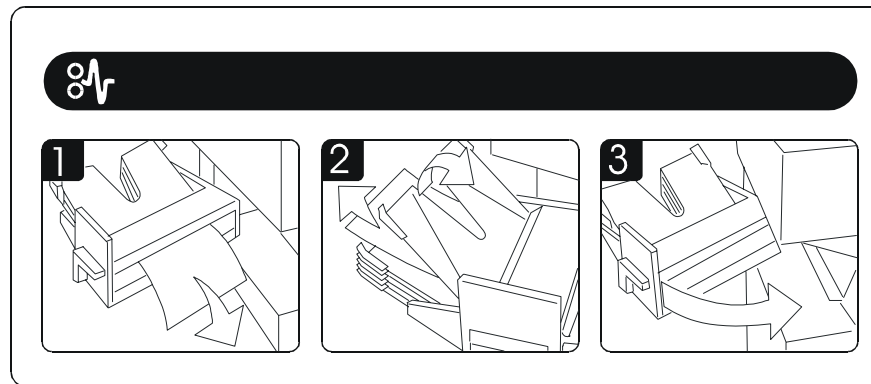
2.SORTER UNIT 2 (A657)

Index No.	Part No.	Description	Q'ty Per Assembly
1	A557 2102	Antistatic Brush Bracket	1
2	6802 2357	Exit Sensor Feeler	1
3	6802 1025	Up-down Plate Guide	2
4	6802 1021	Front Slot Liner	1
5	6802 2239	Slot Roller	2
6	6802 2233	Transfer Wheel - A	1
7	6802 2217	Parallel Key	2
8	6802 2317	Timing Belt - 80XL	1
9	6802 2313	Timing Pulley - 12T	1
10	6802 2215	Bushing	2
11	6802 2315	Drive Pulley Shaft	1
12	6802 2117	Shaft - Lower Guide Plate	2
13	6801 5921	Harness Guidebracket	1
14	6801 2123	Lower Exit Roller	1
15	6802 2213	Bin Drive Shaft	1
16	6801 5911	Insulating Sheet - Exit Sensor	1
17	6802 2237	Transfer Wheel - B	1
18	A327 5406	Bin Drive Motor	1
19	A556 5410	Transport Drive Motor - DC24V 2.6W	1
20	6801 2335	Roller Drive Pulley	1
21	6801 2322	Belt - M3 X 175	1
22	6801 2331	Bracket - Roller Drive Motor	1
23	A657 5200	Main Harness	1
24	A557 5430	Microswitch - D43DWBY	1
25	6802 5972	Wheel Switch Cover	1
26	6802 1023	Rear Slot Liner	1
27	6802 2355	Exit Sensor Bracket	1
28	6802 3161	Antistatic Brush - Bin	1
29	A557 5520	Exit Sensor Board	1
30	6802 5703	Grounding Wire	1
31	6802 2035	Upper Reinforcement Guide	1
32	A557 2011	Upper Guide Plate	1
33	6801 2021	Upper Exit Roller	1
34	A557 2103	Antistatic Brush	1
35	6801 2115	Lower Guide Plate - 115V	1

Index No.	Part No.	Description	Q'ty Per Assembly
36	A557 5480	Clamp	1
37	A327 2318	Thermofuse Cover	1
38	A557 2143	Spring - Entrance Sensor	1
101	1105 0024	Cord Clamp	
102	0802 5235	Tapping Bind Screw - M4x6	
103	0414 0060B	Tapping Screw - M4x6	
104	0353 0140B	Bind Screw - M3x14	
105	0353 0050B	Philips Truss Head Screw - M3x5	
106	0720 0040E	Retaining Ring - M4	

3.DECAL AND DOCUMENT (A657)

1



3.DECAL AND DOCUMENT (A657)

Index No.	Part No.	Description	Q'ty Per Assembly

Index No.	Part No.	Description	Q'ty Per Assembly
1	A657 6601	Decal - Misfeed Removal	1

PARTS INDEX

Part No.	Description	Page and Index No.
A657 1201	Minge Bracket	3- 27
A657 5200	Main Harness	5- 23
A657 5300	Interface Harness	3- 7
A657 5301	Sorter Bracket	3- 28
A657 6101	Front Cover	3- 13
A657 6501	Hinge Cover	3- 23
A657 6601	Decal - Misfeed Removal	3- 14
A657 6601	Decal - Misfeed Removal	7- 1
A657 7511	Magnet Bracket	3- 19

Part No.	Description	Page and Index No.
AA14 0279	Frame Shaft	3- 24

Part No.	Description	Page and Index No.
A327 2318	Thermofuse Cover	5- 37
A327 5406	Bin Drive Motor	5- 18
A467 2511	Loewr Guide Support Plate	3- 18
A490 3146	Front Mylar Seal - Top Bin	3- 4
A490 3147	Rear Mylar Seal - Top Bin	3- 2
A490 5951	Sensor Bracket	3- 17
A556 3171	Sorter Bin - Odd	3- 6
A556 3181	Sorter Bin - Even	3- 5
A556 5410	Transport Drive Motor - DC24V 2.6W	5- 19
A557 2011	Upper Guide Plate	5- 32
A557 2102	Antistatic Brush Bracket	5- 1
A557 2103	Antistatic Brush	5- 34
A557 2143	Spring - Entrance Sensor	5- 38
A557 3101	Sorter Bin - Top	3- 1
A557 5430	Microswitch - D43DWBY	5- 24
A557 5480	Clamp	5- 36
A557 5510	Main Control Board	3- 10
A557 5520	Exit Sensor Board	5- 29
A557 5650	Fuse - 1A	3- 26
A557 6202	Lower Cover	3- 8
A557 6302	Upper Cover	3- 25
A557 6402	Rear Cover	3- 21
A557 7101	Lower Hinge Bracket	3- 11

Part No.	Description	Page and Index No.
5447 2681	Snap Ring	3- 12
6801 2021	Upper Exit Roller	5- 33
6801 2115	Lower Guide Plate - 115V	5- 35
6801 2123	Lower Exit Roller	5- 14
6801 2322	Belt - M3 X 175	5- 21
6801 2331	Bracket - Roller Drive Motor	5- 22
6801 2335	Roller Drive Pulley	5- 20
6801 2514	Support Plate Mylar	3- 20
6801 3145	Paper Stopper	3- 3
6801 5911	Insulating Sheet - Exit Sensor	5- 16
6801 5921	Harness Guidebracket	5- 13
6802 1021	Front Slot Liner	5- 4
6802 1023	Rear Slot Liner	5- 26
6802 1025	Up-down Plate Guide	5- 3
6802 2035	Upper Reinforcement Guide	5- 31
6802 2117	Shaft - Lower Guide Plate	5- 12
6802 2213	Bin Drive Shaft	5- 15
6802 2215	Bushing	5- 10
6802 2217	Parallel Key	5- 7
6802 2233	Transfer Wheel - A	5- 6
6802 2237	Transfer Wheel - B	5- 17
6802 2239	Slot Roller	5- 5
6802 2313	Timing Pulley - 12T	5- 9
6802 2315	Drive Pulley Shaft	5- 11
6802 2317	Timing Belt - 80XL	5- 8
6802 2355	Exit Sensor Bracket	5- 27
6802 2357	Exit Sensor Feeler	5- 2
6802 3161	Antistatic Brush - Bin	5- 28
6802 5640	Reed Switch	3- 16
6802 5703	Grounding Wire	5- 30
6802 5961	Strain Relief Plate	3- 9
6802 5971	Home Position Switch Cover	3- 15
6802 5972	Wheel Switch Cover	5- 25
6802 7125	Magnet - Sorter Mounting Base	3- 22

Part No.	Description	Page and Index No.
0353 0050B	Philips Truss Head Screw - M3x5	5-105
0353 0140B	Bind Screw - M3x14	5-104
0413 0060B	Tapping Screw - M3x6	3-108
0414 0060B	Tapping Screw - M4x6	5-103
0414 0060B	Tapping Screw - M4x6	3-101
0414 0080B	Binding Self-tapping Screw - M4x8	3-103
0414 0100B	Tapping Screw - M4x10	3-104
0703 0040B	Philips Washer - M4	3-107
0720 0040E	Retaining Ring - M4	5-106
0802 5235	Tapping Bind Screw - M4x6	5-102
0802 5236	Binding Self-tapping Screw - M4x8	3-102
1105 0024	Cord Clamp	5-101
1107 0406	Fuse - 250v,0.5a	3-106
1204 2297	Microswitch - E21-50K(F)	3-105

Part No.	Description	Page and Index No.